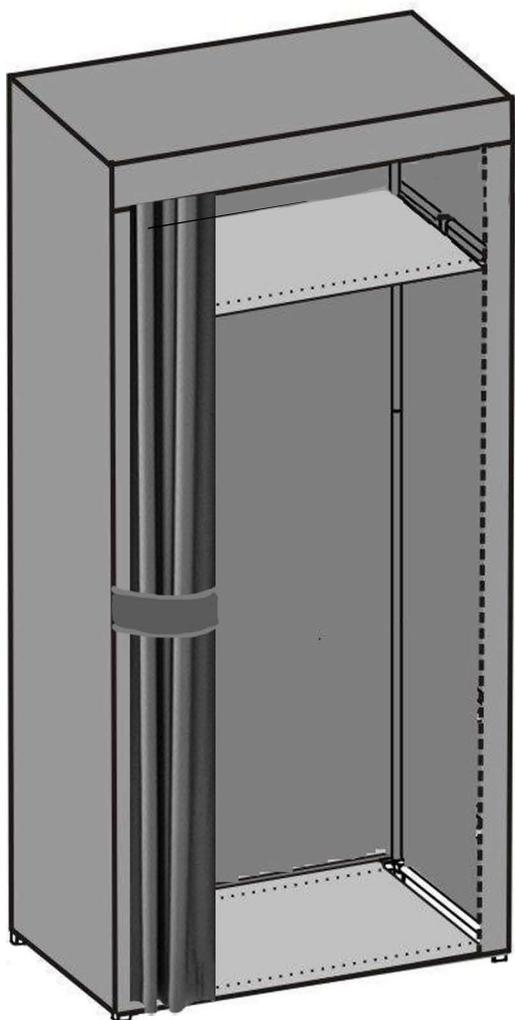
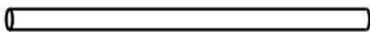
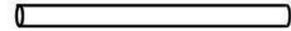
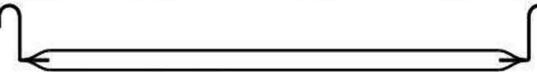


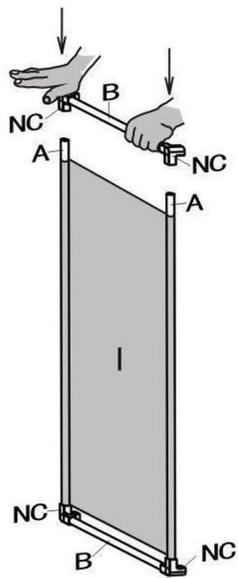
971099



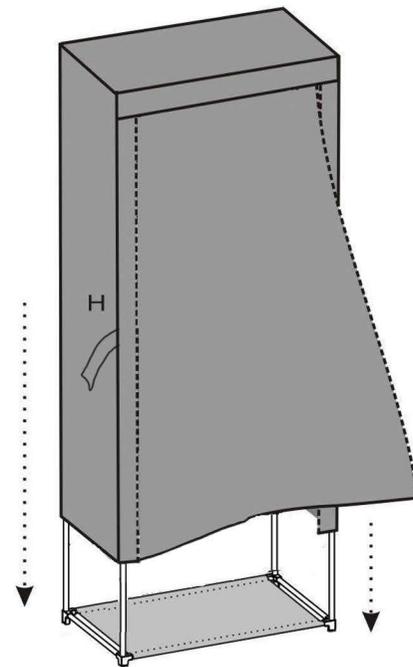
NC		X12 (+1)
A		X6
B		X6
C		X4
D		X4
E		X4
G		X1
H		X1
I		X2

A x 6	B x 6	C x 4	D x 4	E x 4	H x 1
-------	-------	-------	-------	-------	-------

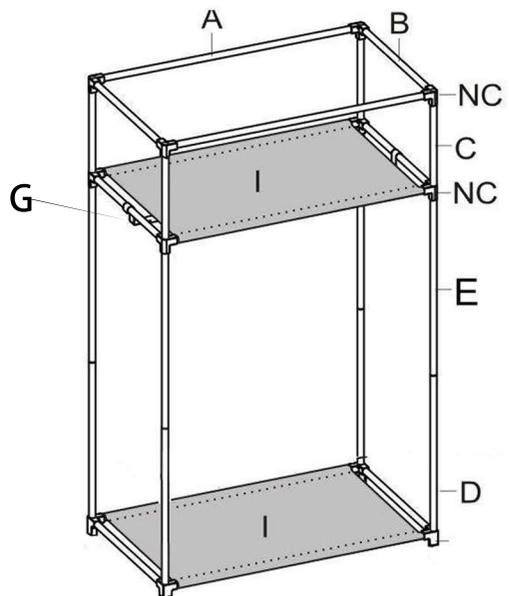
1



3



2



4

