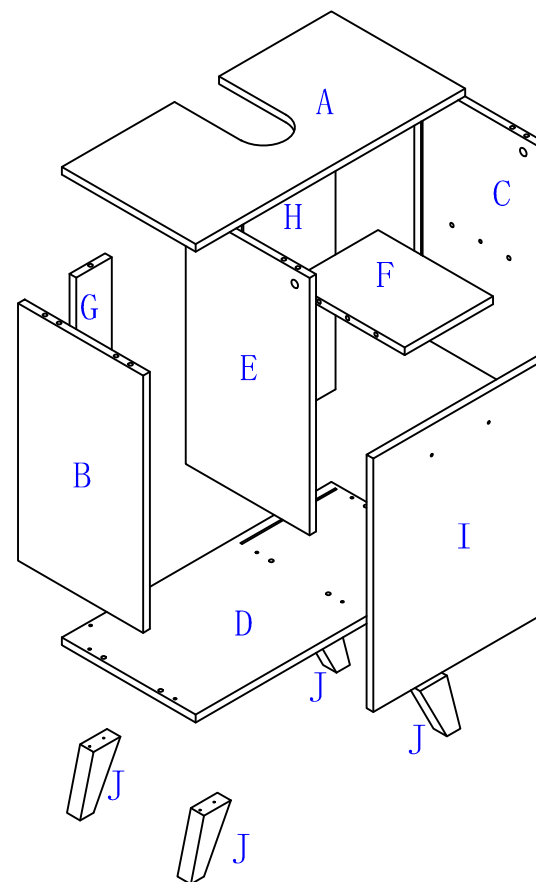
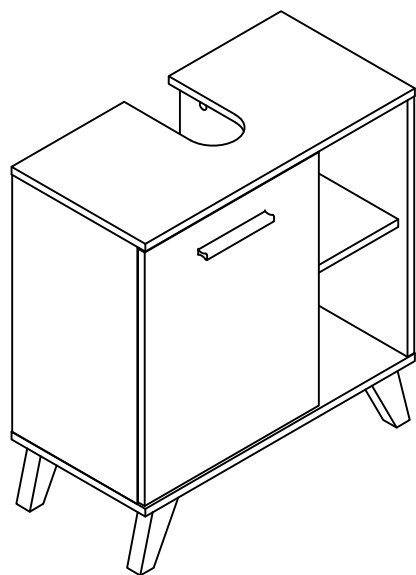


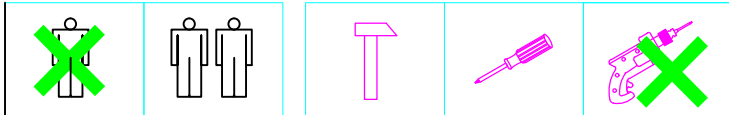
living  
**b.p.c.**  
 bonprix collection

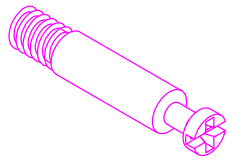
940908

FSC®  
 www.fsc.org  
 100%  
 Wood from well-  
 managed forests  
 FSC® C111196

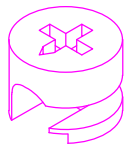


|   |   |   |
|---|---|---|
| A | x | 1 |
| B | x | 1 |
| C | x | 1 |
| D | x | 1 |
| E | x | 1 |
| F | x | 1 |
| G | x | 1 |
| H | x | 1 |
| I | x | 1 |
| J | x | 4 |

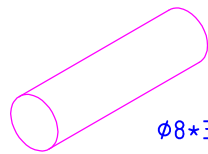




a x 10

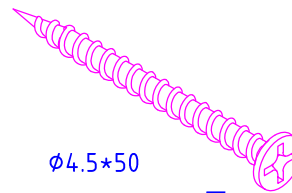


b x 10



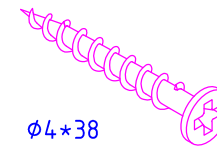
$\phi 8 \times 30$

d x 16



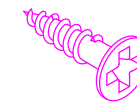
$\phi 4.5 \times 50$

e x 7



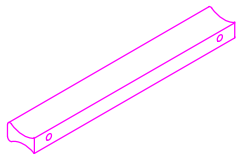
$\phi 4 \times 38$

f x 8



$\phi 3.5 \times 14$

g x 33

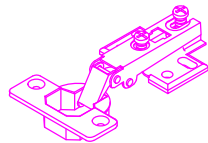


h x 1

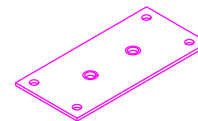


$\phi 4 \times 18$

i x 2



j x 2



k x 4



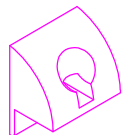
l x 4



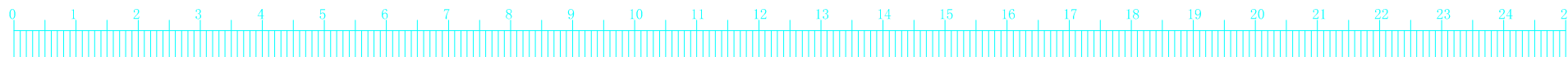
m x 2



n x 8

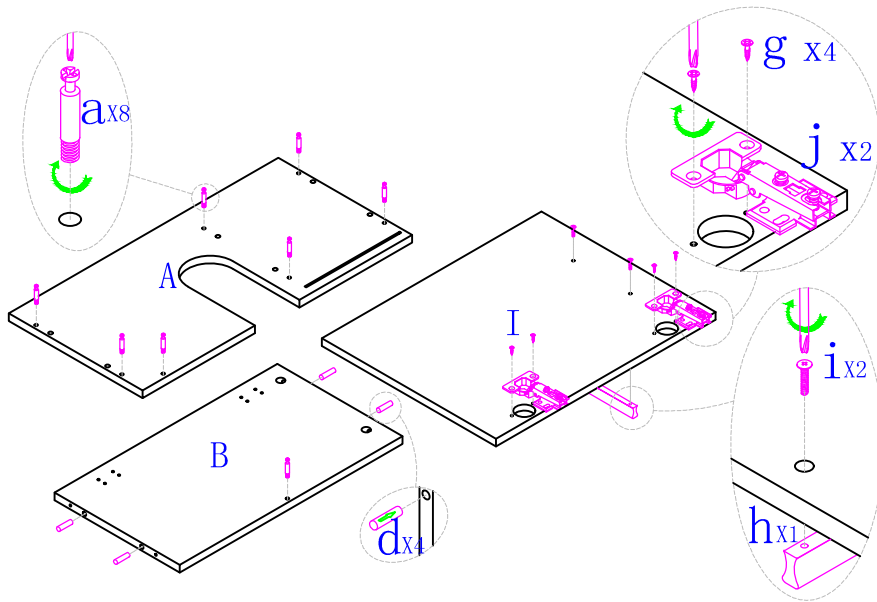


o x 4

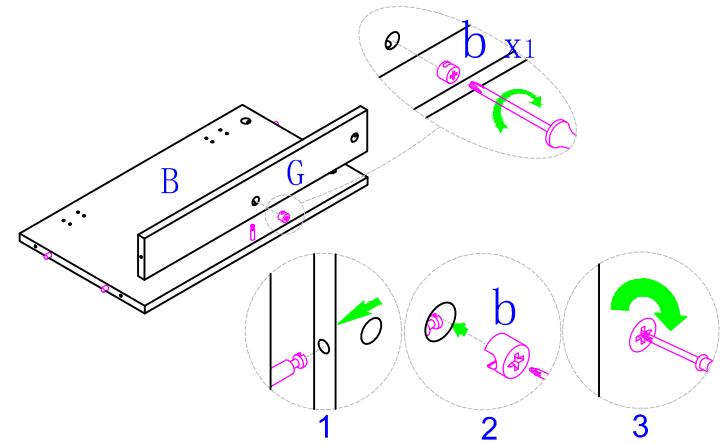


a x 8 d x 4 g x 4 h x 1 i x 2 j x 2 b x 1

1

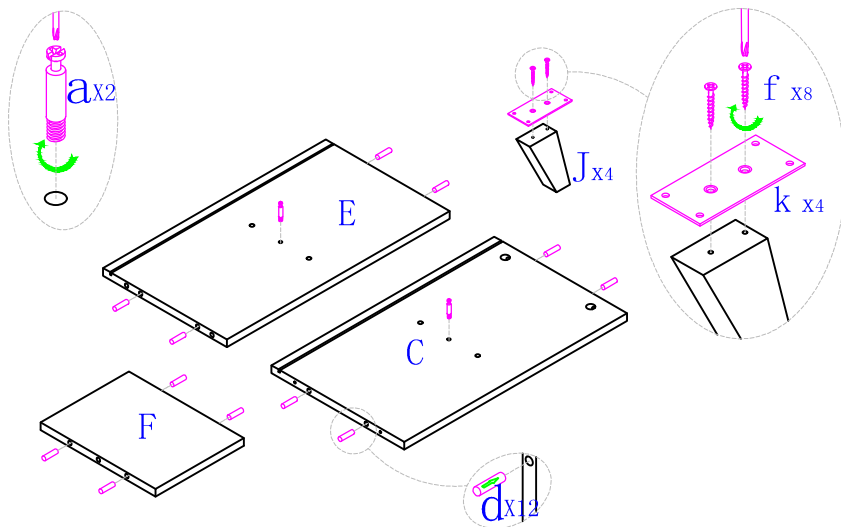


3



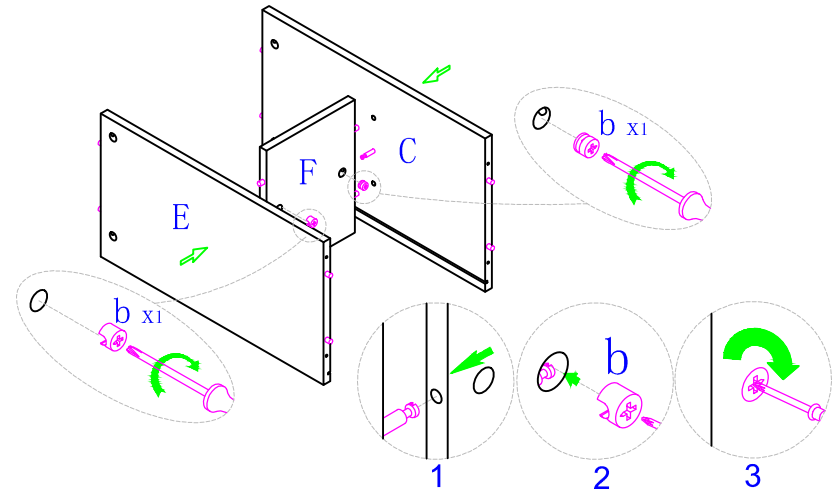
a x 2 d x 12 f x 8 k x 4

2



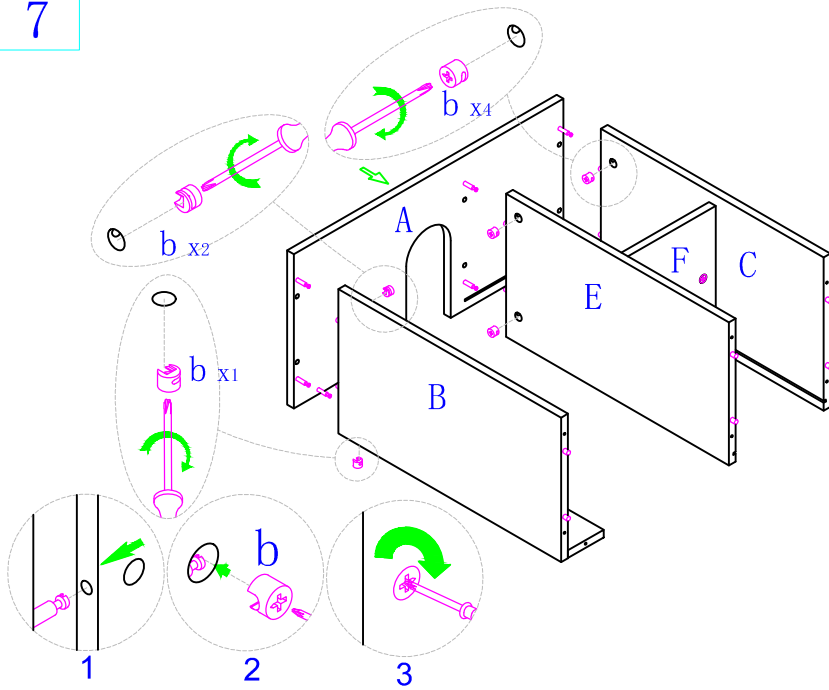
b x 2

4

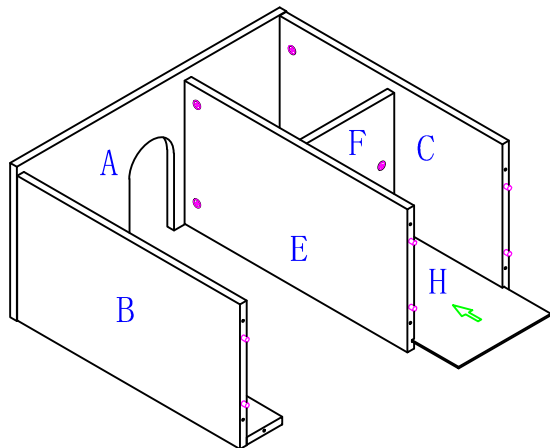


b x 7

5

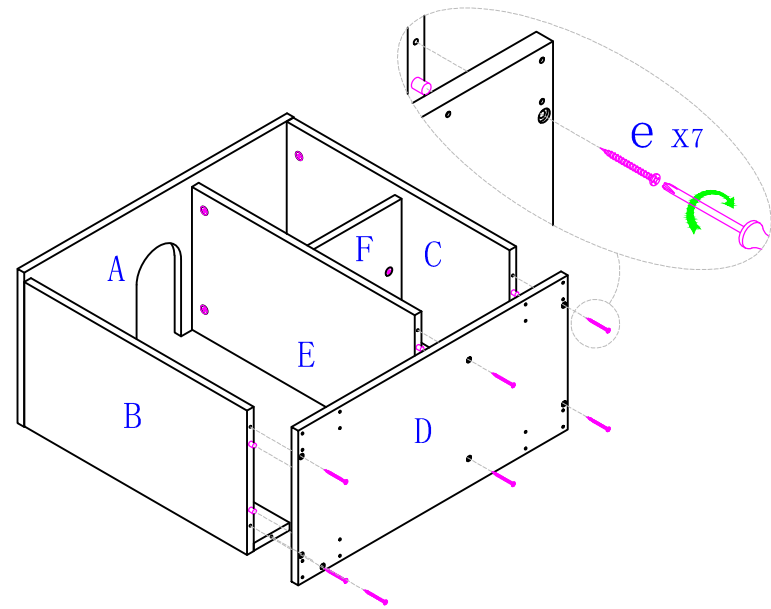


6



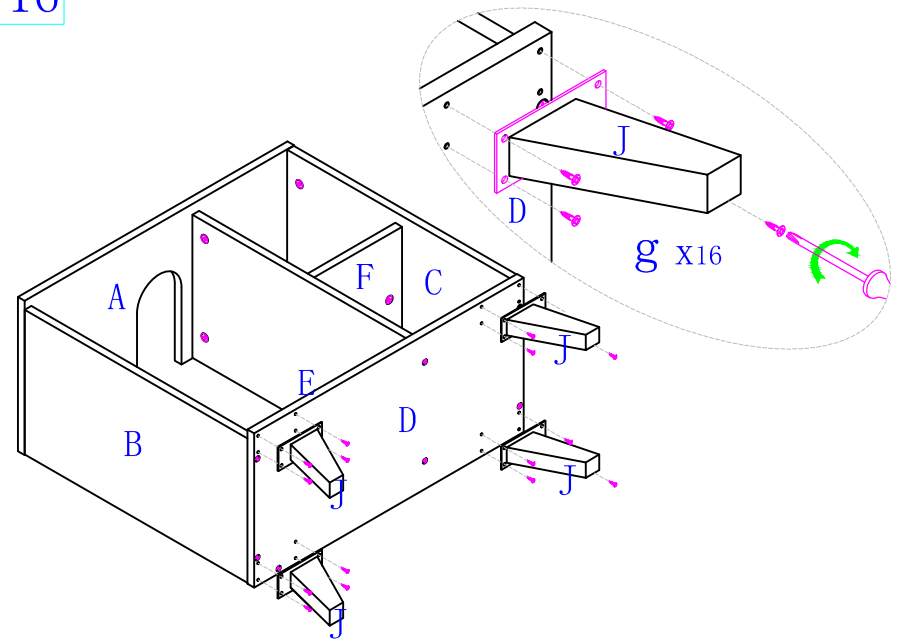
e x 7

7



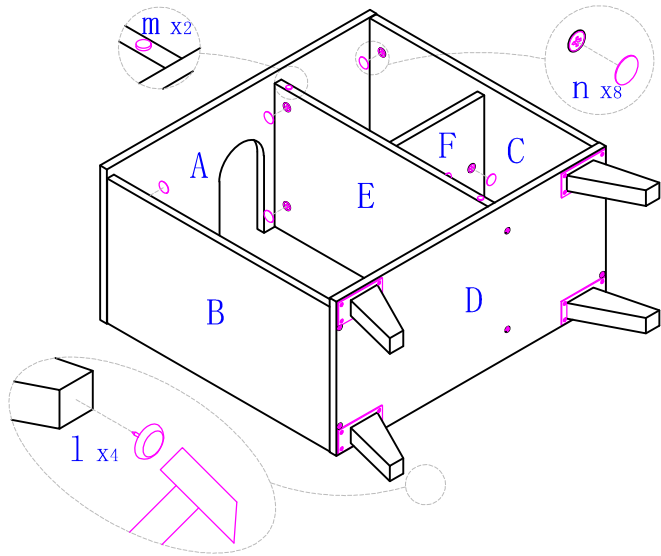
g x 16

8



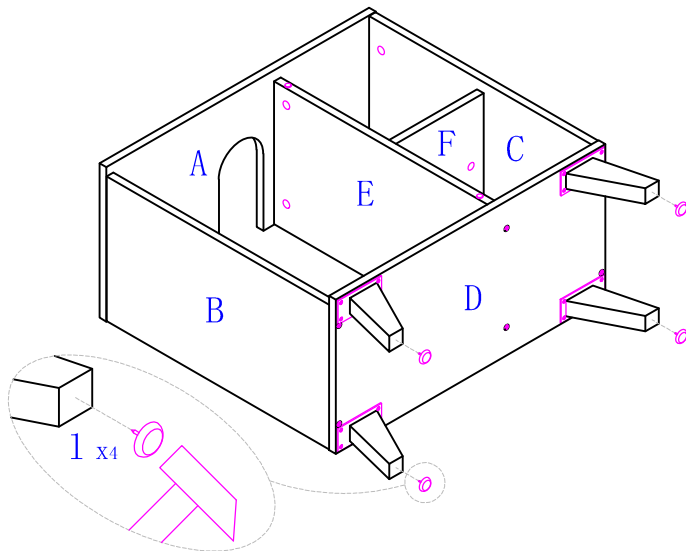
m x 2 n x 8

9



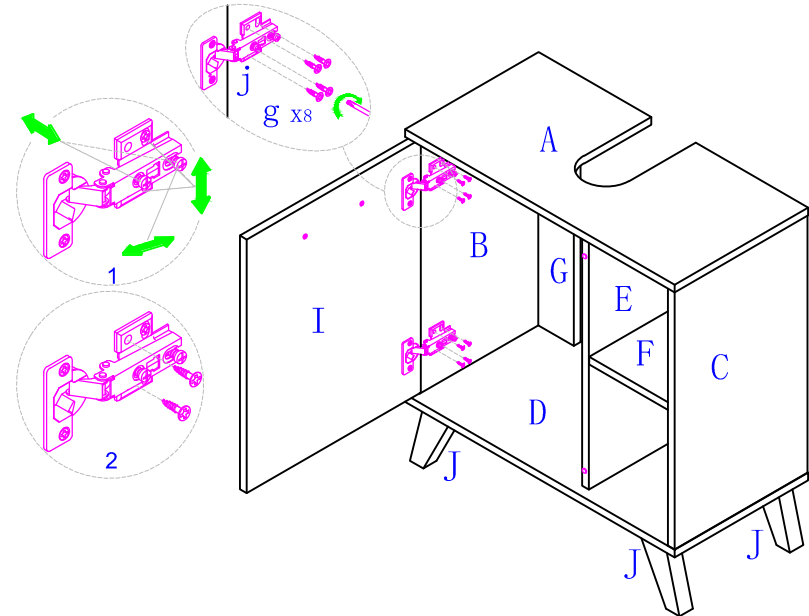
l x 4

10



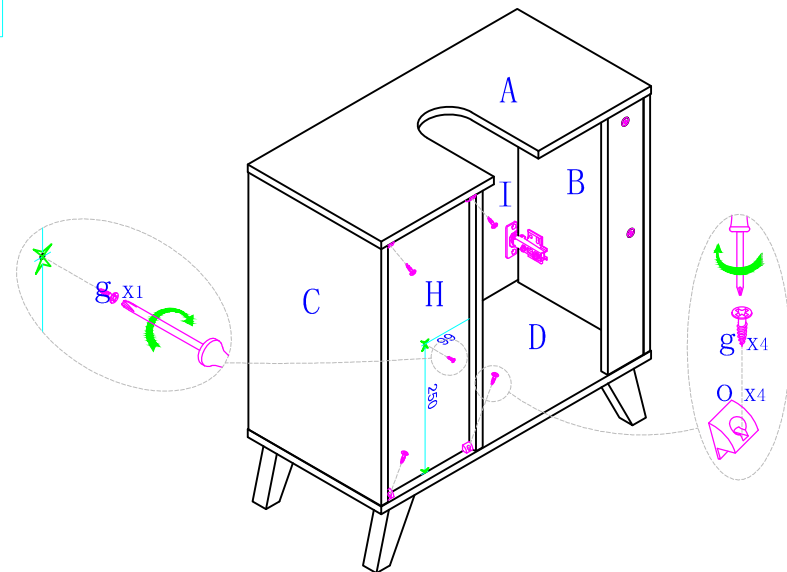
g x 8

11



g x 5 o x 4

12



**Türen einstellen (Scharniere justieren)**  
**Adjusting the doors (adjusting the hinges)**  
**Régler les portes (ajuster les charnières)**  
**Sistemare le porte (regolare le cerniere)**  
**Deuren instellen (scharnieren afstellen)**  
**Nastawić drzwi (wyregulować zawiasy)**  
**Vyrovnejte dvířka (seřid'te závěsy)**  
**Nastavenie dverí (nastavenie závesov)**  
**Állítsa be az ajtókat (állítsa be a zsanérokot)**  
**Reglare uși (ajustare balamale)**  
**Kapıların ayarlanması (menteşelerin seviye ayarı)**  
**Регулировка дверей (регулировка шарнира)**

