

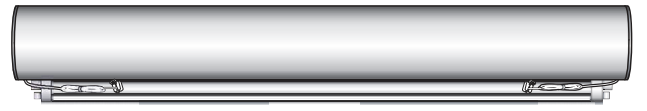
		A	B
C02	38.3x54cm	4	8
C04	38.3x74cm	4	10
F06	49.3x94cm	4	12
M06	61.3x94cm	4	12
S06	97.3x94cm	4	12
M08	61.3x116cm	4	14
S08	97.3x116cm	4	14



L/G x1



R/D x1

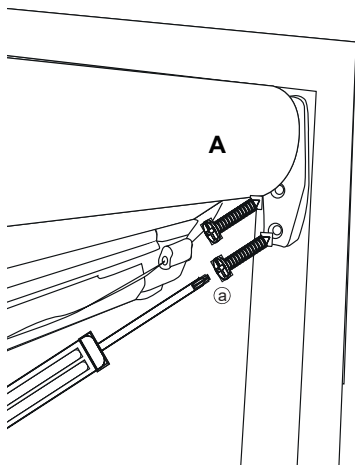


A x1

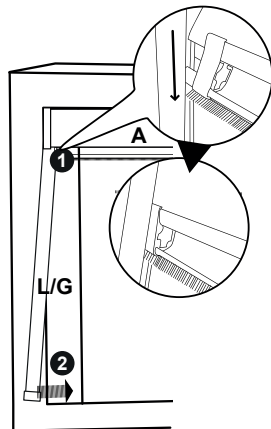


B x2

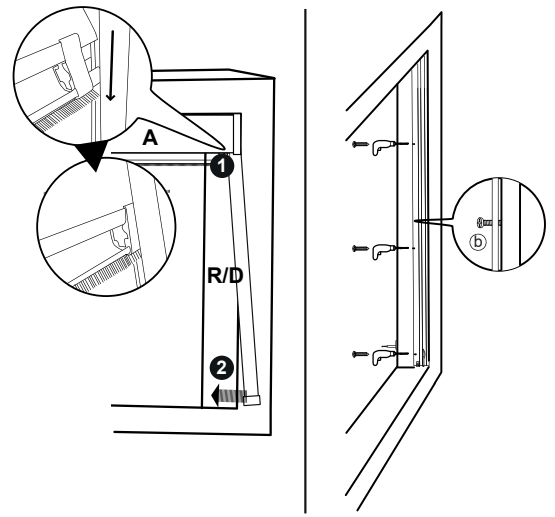
1 A + a



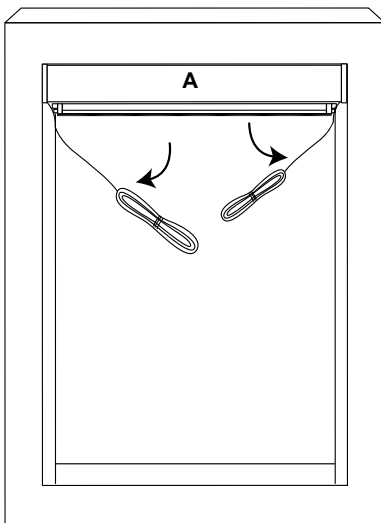
2 L/G + A + b



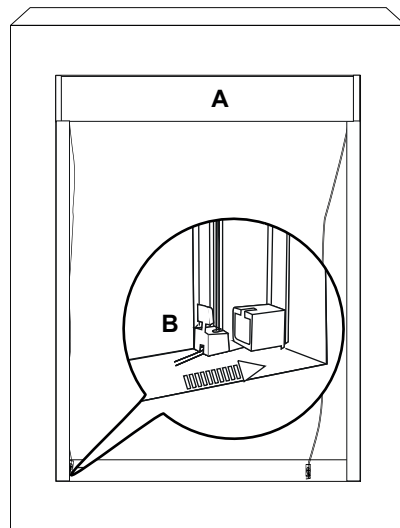
3 R/D + A + b



4 A



5 A + B



6

