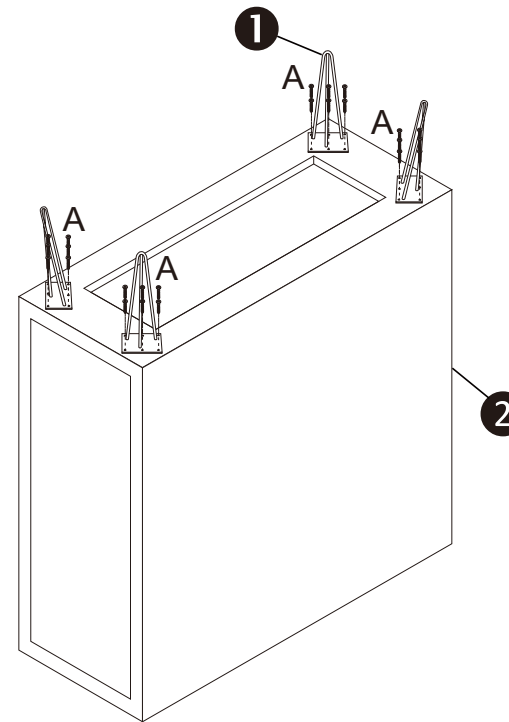
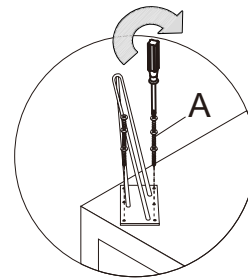
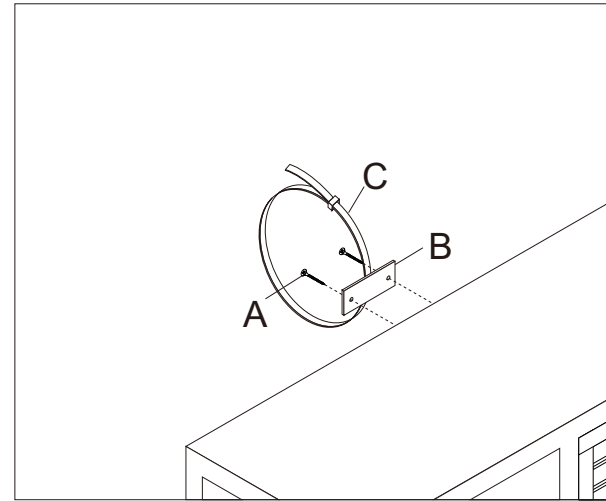
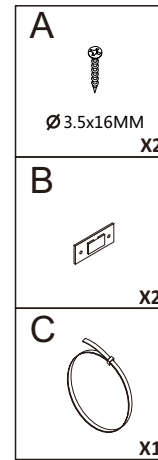
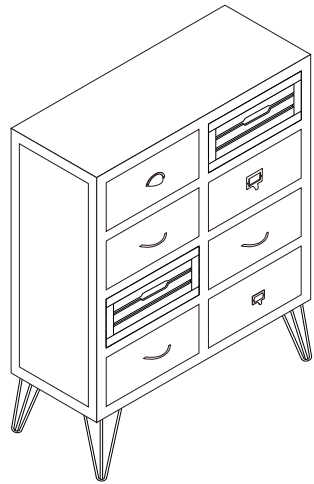








920734



| | | |
|--|---|---|
| A | B | C |
|  Ø 3.5x16MM X26 |  X2 |  X1 |
|  15 MIN |  |  |

