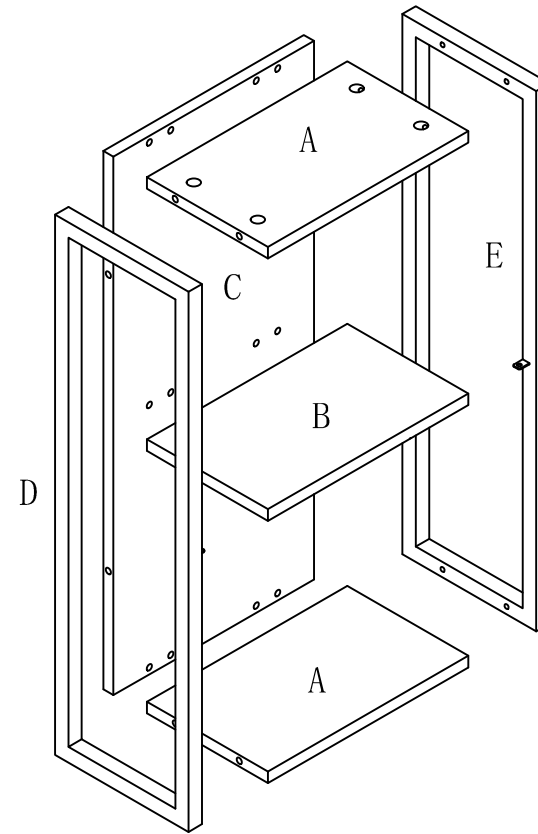
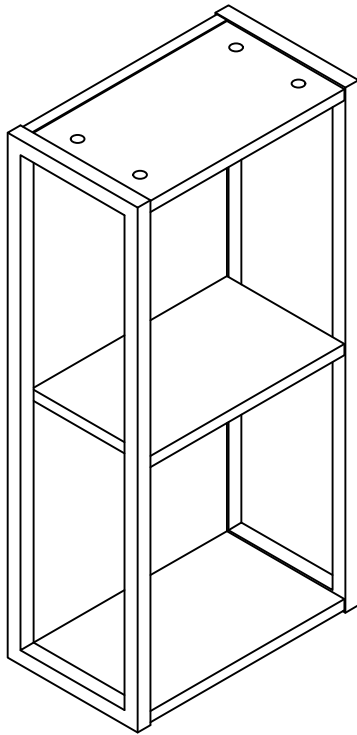


living
b.p.c.

bonprix collection

915419

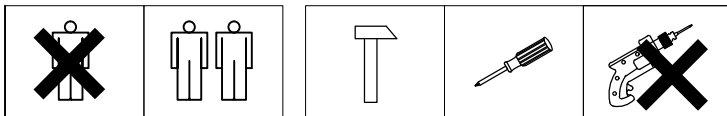


FSC
www.fsc.org

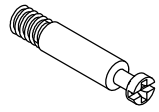

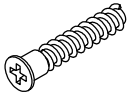
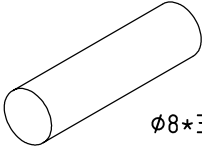
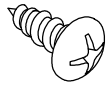
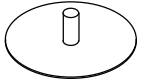
100%

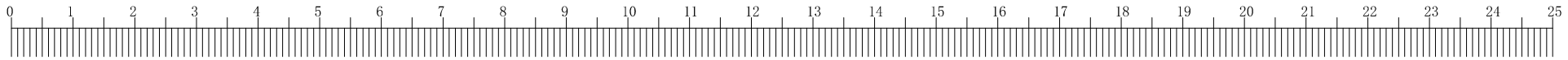
Wood from well-
managed forests

FSC® C187780

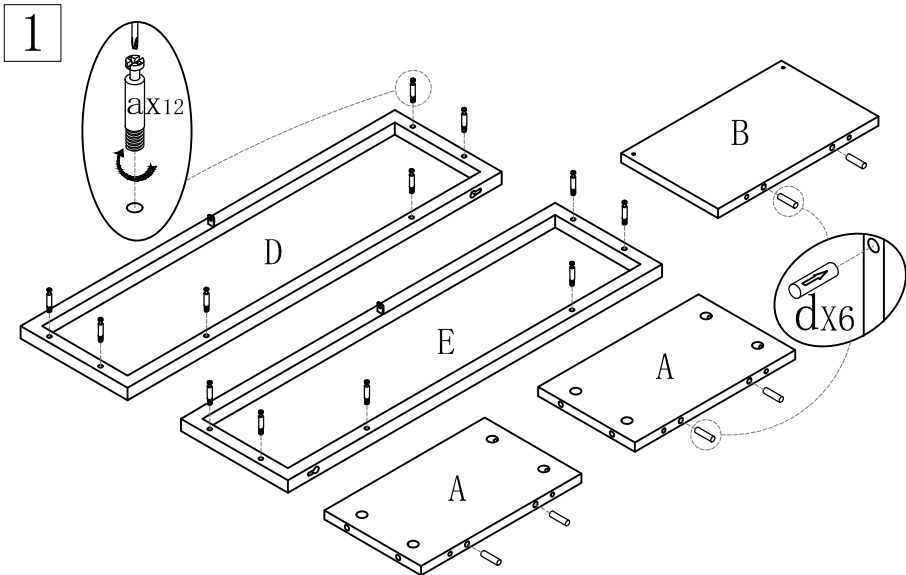


A	x	2
B	x	1
C	x	1
D	x	1
E	x	1

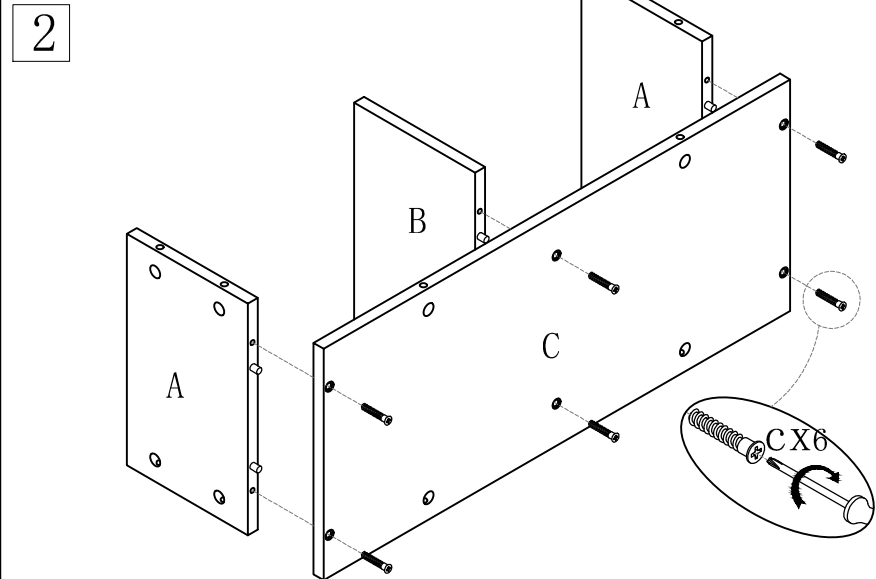
		 $\phi 7 \times 38$	 $\phi 8 \times 30$		
a x 12 (+1)	b x 12 (+1)	c x 6 (+1)	d x 6 (+1)	e x 2	f x 12 (+1)



a x 12 | d x 6

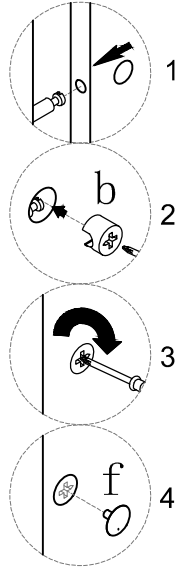
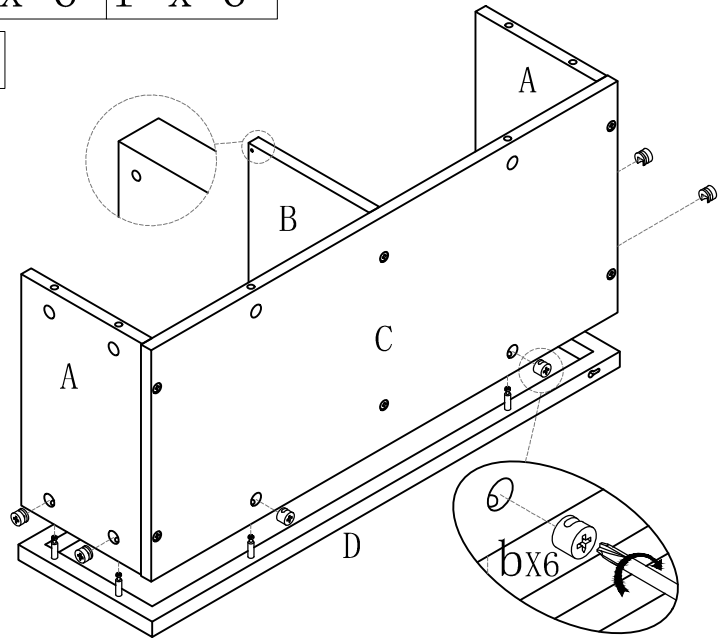


c x 6



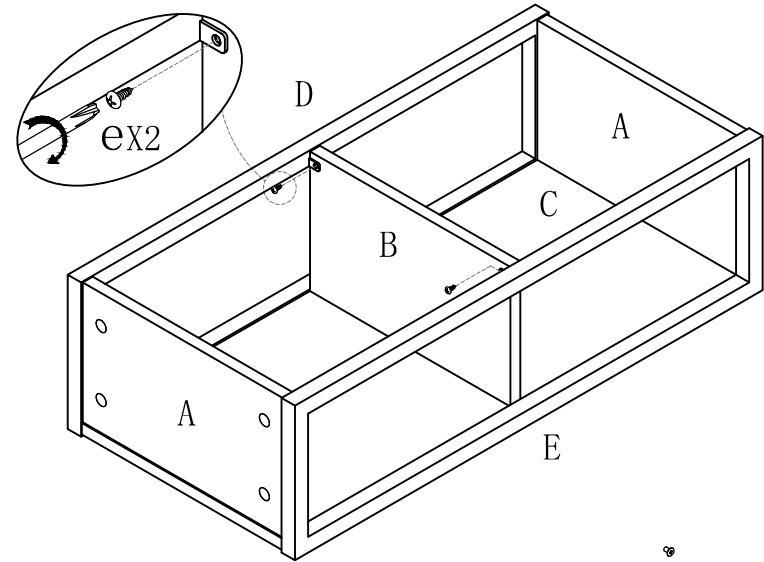
b x 6 | f x 6

3



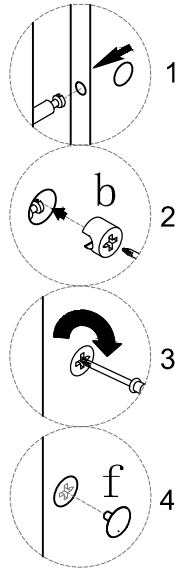
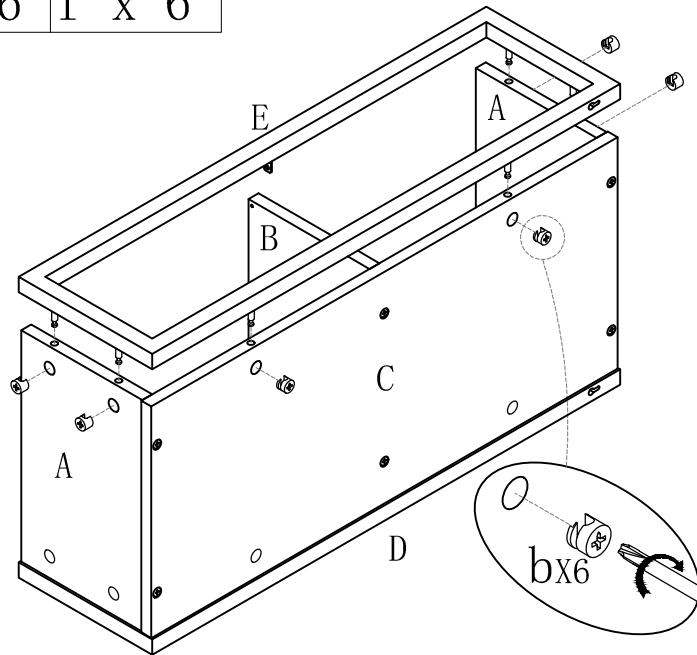
e x 2

5



b x 6 | f x 6

4



6

